



**Devonshire®**  
Double-light Wall Sconce  
**K-10571**

**Features**

- Premium metal construction for durability.
- KOHLER finishes resist corrosion and tarnish.
- Frosted-glass shades.
- Sconces can be positioned up or down, depending on room setting.
- CUL- and UL-approved up to 100 watts.
- Coordinates with other products in the Devonshire Collection.

**Installation**

- Installation hardware included.

**Included Components**

Additional Components:  
Installation hardware



**Codes/Standards**







UL 1598  
CSA C22.2 No. 250

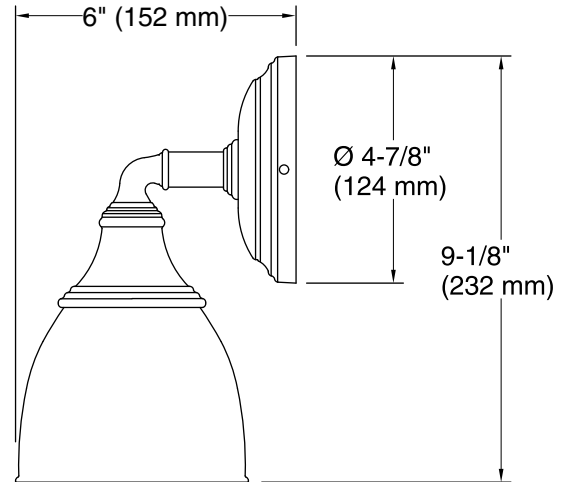
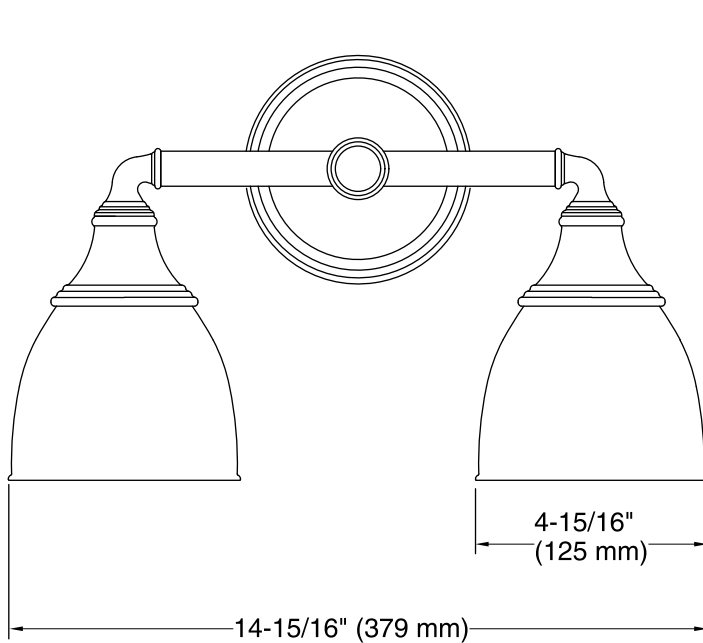
**KOHLER® Faucet Lifetime Limited  
Warranty**

See website for detailed warranty information.

**Available Colors/Finishes**

*Color tiles intended for reference only.*

Color	Code	Description
	CP	Polished Chrome
	SN	Vibrant® Polished Nickel
	G	Brushed Chrome
	BN	Vibrant® Brushed Nickel
	BV	Vibrant® Brushed Bronze
	2BZ	Oil-Rubbed Bronze



### Technical Information

All product dimensions are nominal.

Material: Metal, Glass

### Notes

Install this product according to the installation guide.