

Features

- Curved basin and integral apron create a graceful and spacious bathing experience.
- Integral flange helps prevent water from seeping behind wall and simplifies alcove installation.
- Textured bottom surface
- Left-hand drain.

Material

- Acrylic

Installation

- Three-wall alcove.

Recommended Products/Accessories

K-7213 27" Cable Bath Drain

K-7214 27" Cable Bath Drain

K-7259 Clearflo Bath Drain



Codes/Standards

CSA B45.5/IAPMO Z124

ASTM E162




ASTM E662

KOHLER® Plastic Baths and Receptors Lifetime Limited Warranty

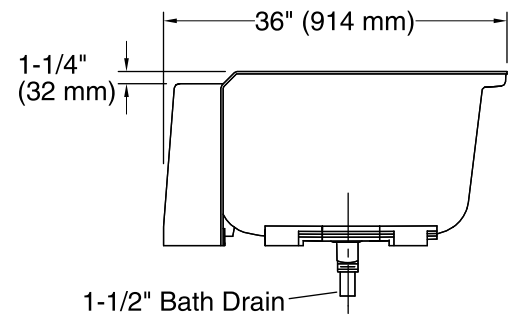
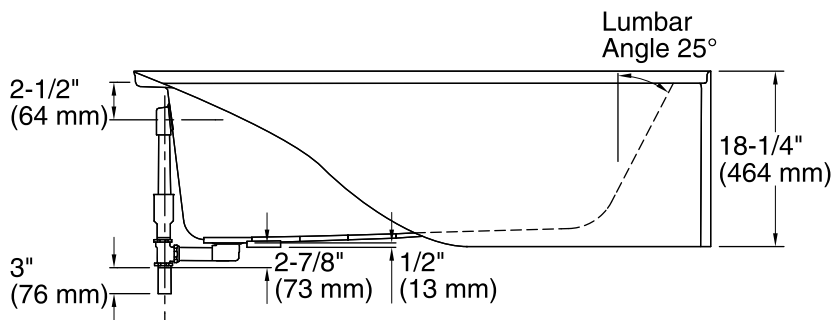
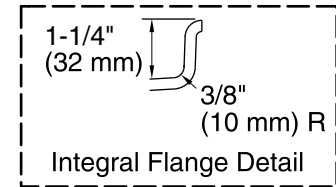
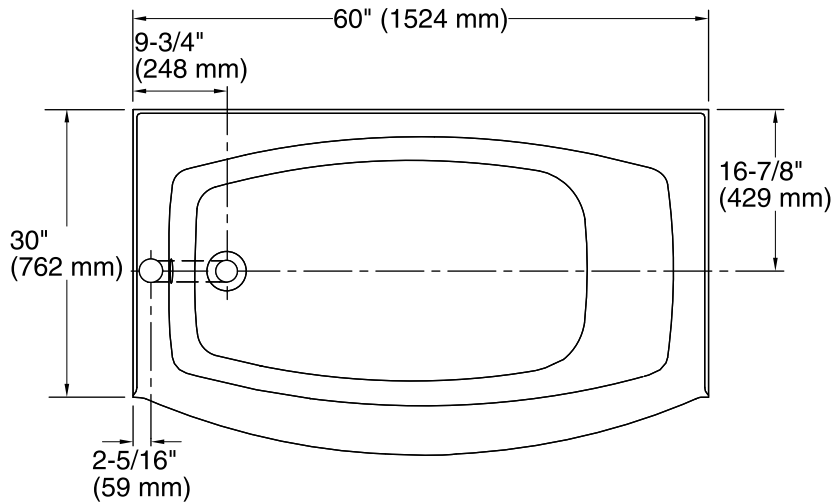
See website for detailed warranty information.

Available Colors/Finishes

Color tiles intended for reference only.

Color	Code	Description
	0	White
	96	Biscuit
	47	Almond

No change in measurements if connected with drain illustrated. (K-7213)



Technical Information

All product dimensions are nominal.

Installation:	Three-wall alcove
Drain location:	Left
Basin area, bottom:	45-5/16" x 25-9/16" (1151 mm x 649 mm)
Basin area, top:	52-9/16" x 28-1/16" (1335 mm x 713 mm)
Weight:	70 lbs (31.8 kg)
Minimum floor load:	45 lbs/ft ² (219.7 kg/m ²)
Water depth:	12-11/16" (322 mm)
Water capacity:	55.6 gal (210.5 L)

Notes

Measure your actual product for rough-in details. Install this product according to the installation instructions.

The hot water supply should be 70% of the capacity of the bath or greater. Installations will vary.