



# Chesapeake™

## Wall-Mount Bathroom Sink

### K-1723

#### Features

- Made from premium materials that withstand high-volume usage
- Constructed of vitreous china
- 20"L x 18-1/4"W
- Wall-mount installation
- Faucet not included
- Ledge-back
- Includes soap dispenser drilling on right

#### Optional Products/Accessories

K-8998 P-Trap

#### Included Components

Additional Components:  
Hanger(s)



ADA

CSA B651

#### Codes/Standards

ASME A112.19.2/CSA B45.1  
ADA  
ICC/ANSI A117.1  
CSA B651




#### KOHLER® One-Year Limited Warranty

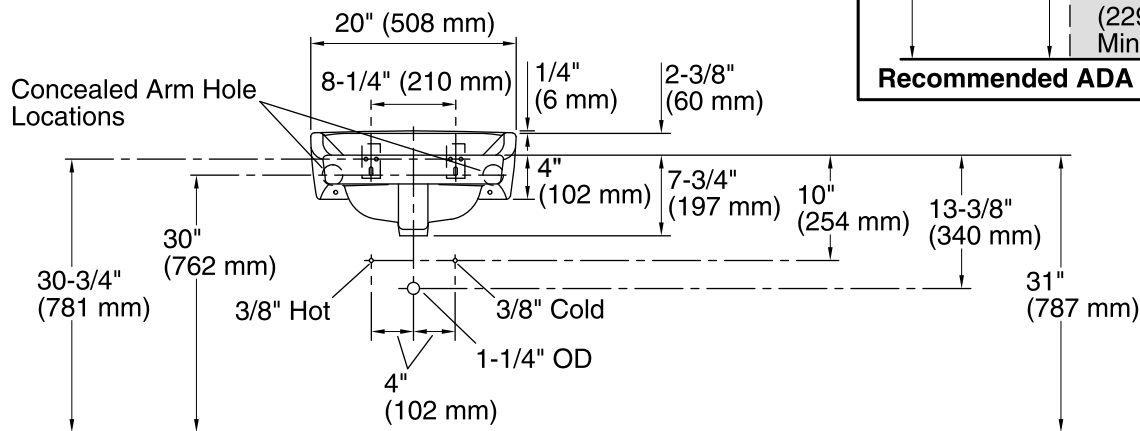
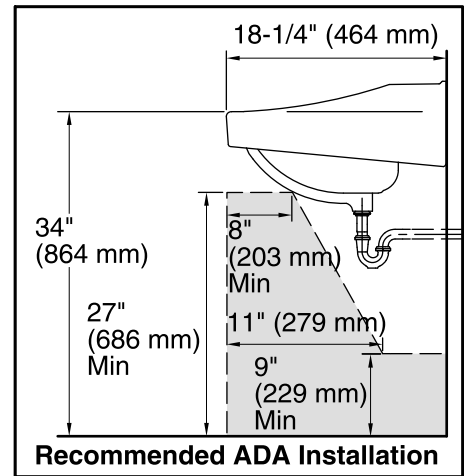
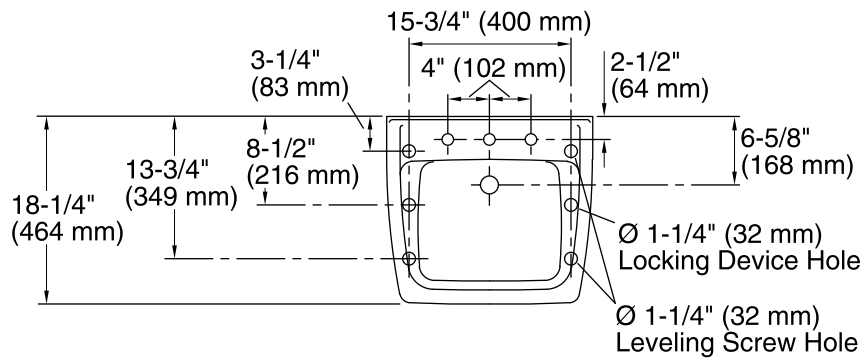
See website for detailed warranty information.

#### Available Colors/Finishes

*Color tiles intended for reference only.*

Color	Code	Description
-------	------	-------------

	0	White
	96	Biscuit
	47	Almond



**Standard Installation**

### Technical Information

All product dimensions are nominal.

Bowl configuration: Single  
 Installation: Wall-mount  
 Bowl area (Only): Length: 14" (356 mm)  
 Width: 12" (305 mm)  
 With overflow: Yes  
 Water depth: 4-7/8" (124 mm)

Number of deck holes: 3  
 Faucet hole spacing: 8" (203 mm)  
 Faucet hole(s): 1-3/8" (35 mm)  
 Drain hole: 1-3/4" (44 mm)

### Notes

Install this product according to the installation instructions.

ADA, CSA B651 compliant when installed to the specific requirements of these regulations.