



Greenwich™

Wall-Mount Bathroom Sink

K-2031-N

Features

- Made from premium materials that withstand high-volume usage
- Constructed of vitreous china
- 20-3/4"L x 18-1/4"W
- Wall-mount installation
- Single-hole drilling
- Includes wall hanger
- Drilled for concealed arm carrier
- With sealed overflow for commercial hospitals jobs

Recommended Products/Accessories

- K-8998 P-Trap
- K-1808-P Wall-Mount Sink Brackets

Included Components

- Additional Components:
- Hanger(s)



ADA

Codes/Standards

ASME A112.19.2/CSA B45.1
ADA
ICC/ANSI A117.1


KOHLER® One-Year Limited Warranty

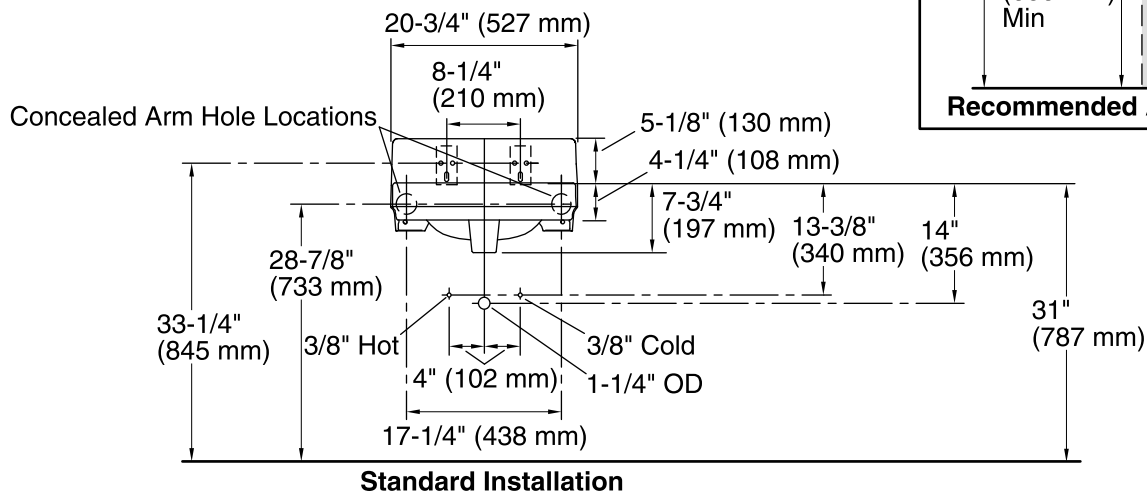
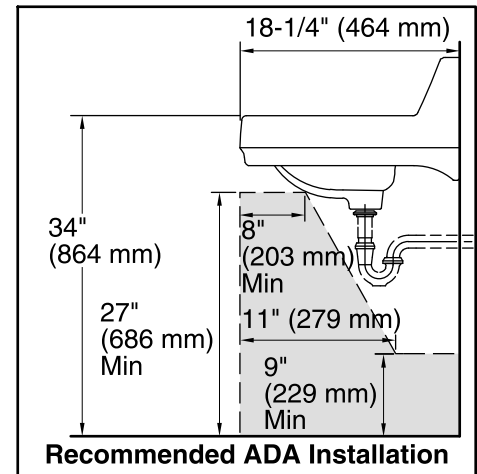
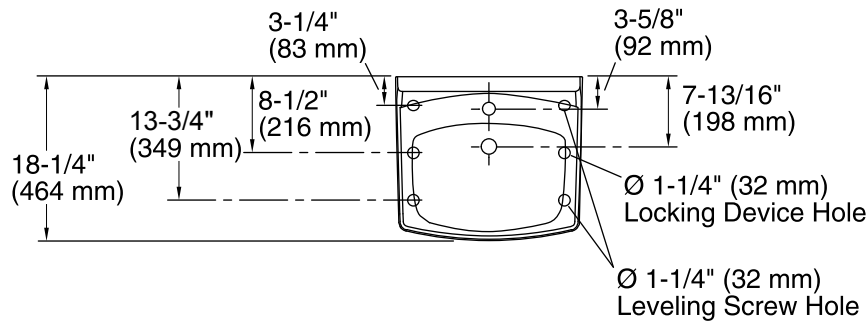
See website for detailed warranty information.

Available Colors/Finishes

Color tiles intended for reference only.

Color	Code	Description
-------	------	-------------

	0	White
--	---	-------



Technical Information

All product dimensions are nominal.

Bowl configuration: Single
 Installation: Wall-mount
 Bowl area (Center): Length: 10" (254 mm)
 Width: 15" (381 mm)
 With overflow: Yes
 Water depth: 3-1/4" (83 mm)

Number of deck holes: 1
 Faucet hole spacing: 8" (203 mm)
 Faucet hole(s): 1-3/8" (35 mm)
 Soap/Lotion hole: 1-1/4" (32 mm)
 Drain hole: 1-3/4" (44 mm)

Notes

Install this product according to the installation instructions.

ADA compliant when installed to the specific requirements of these regulations.